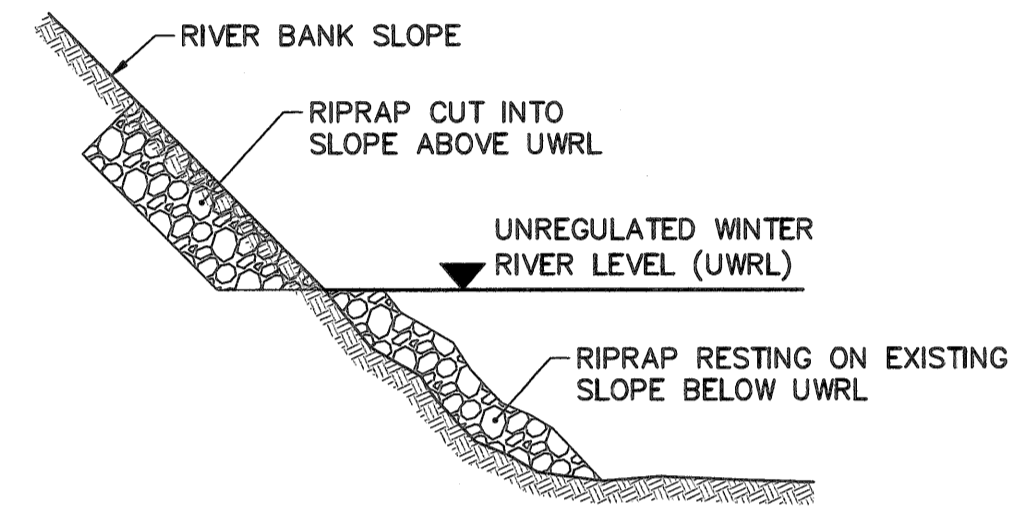
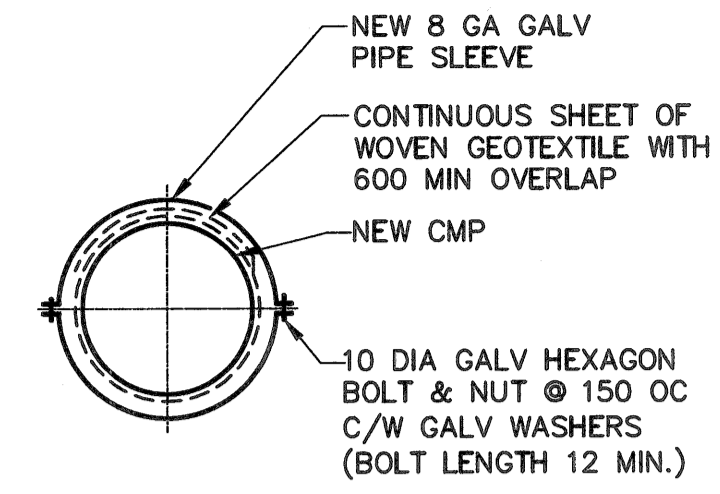
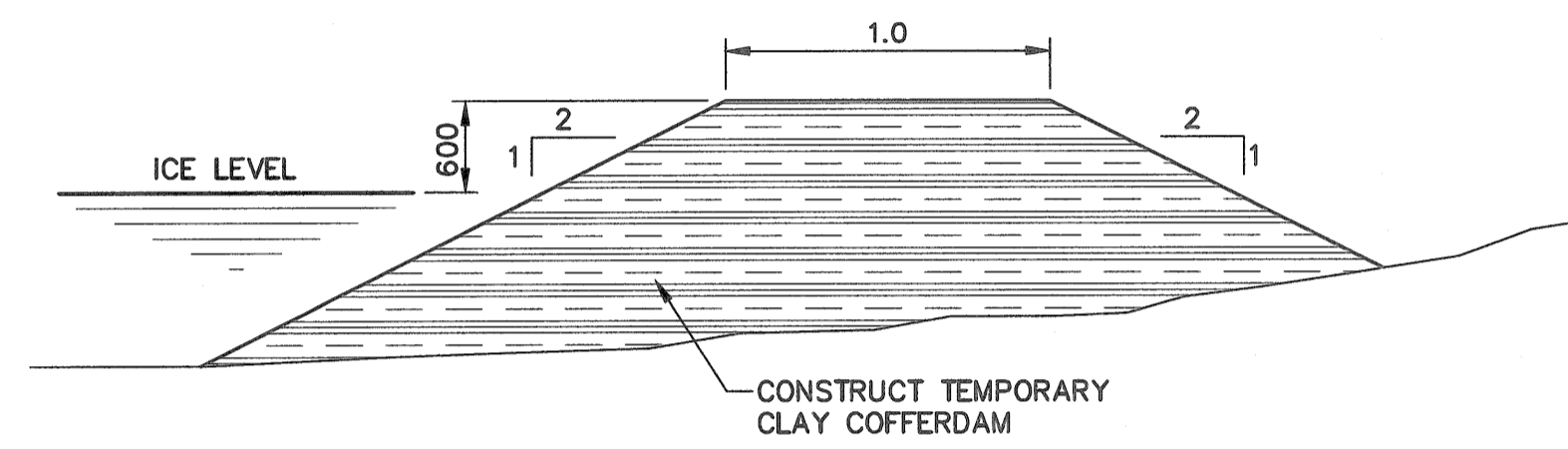


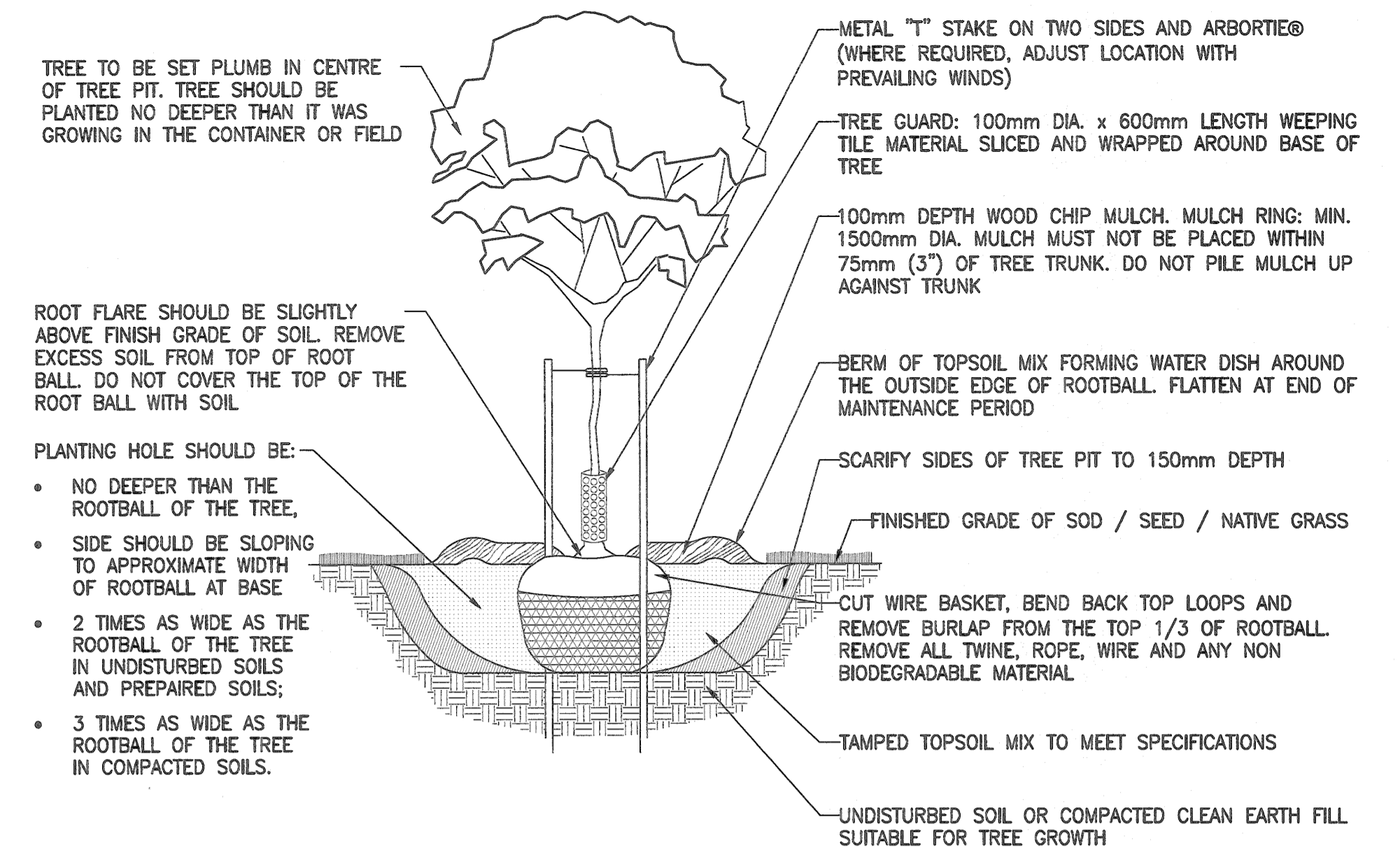
EXTERNAL SLIP JOINT DETAIL
SCALE: N.T.S.



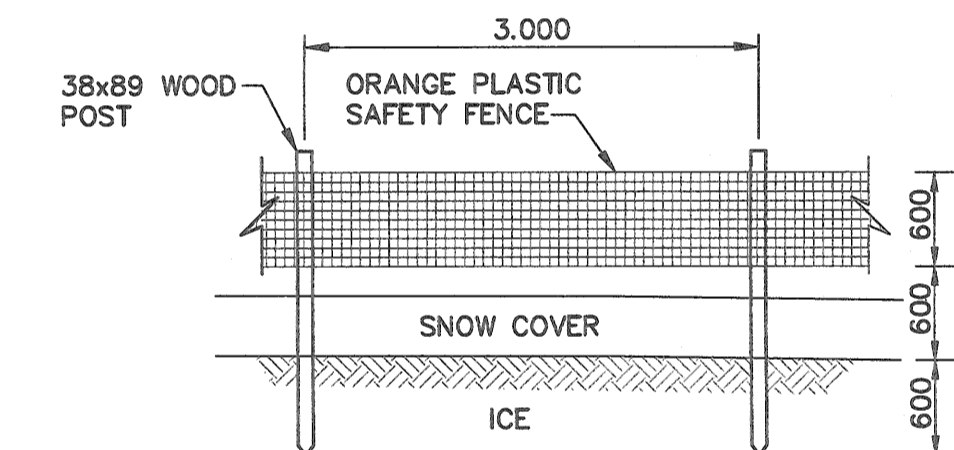
RIPRAP DETAIL
SCALE: N.T.S.



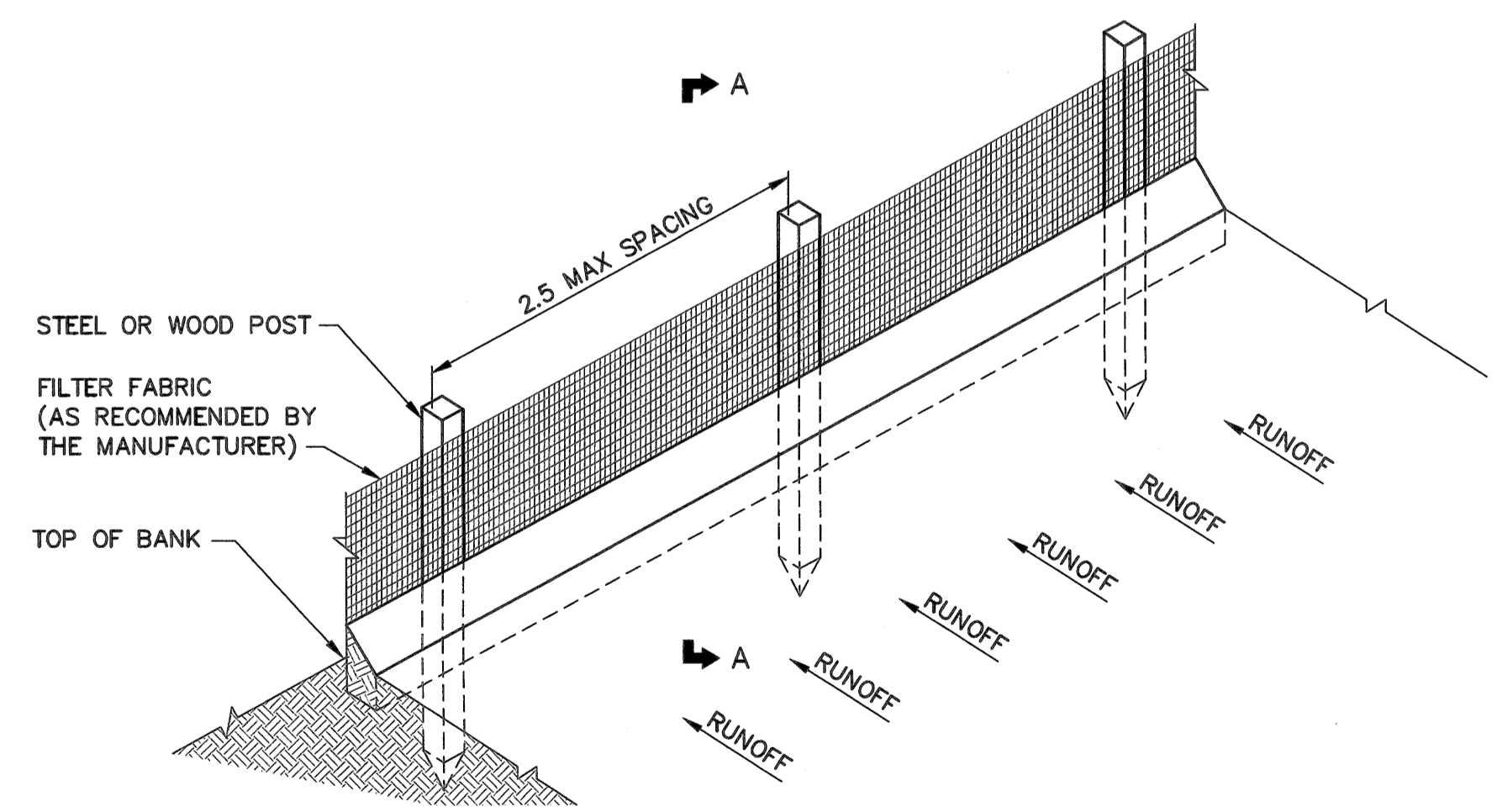
COFFERDAM DETAIL
SCALE: N.T.S.



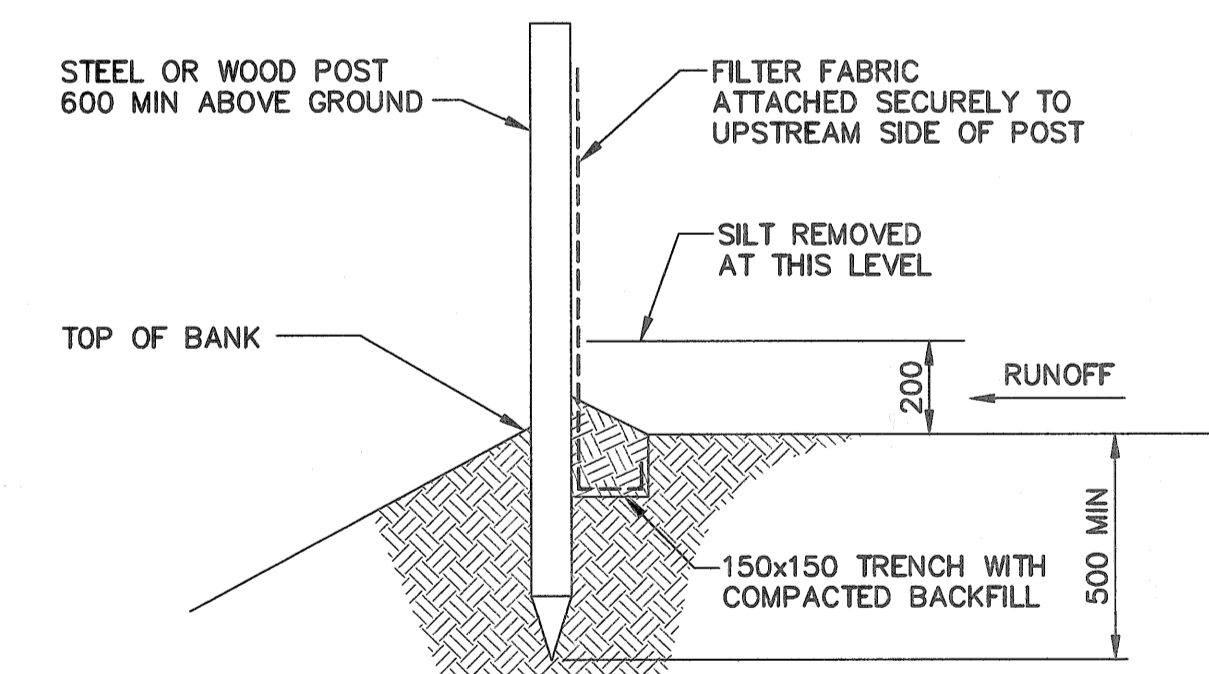
TYPICAL DECIDUOUS TREE PLANTING DETAIL
SCALE: N.T.S.



SAFETY FENCE DETAIL
SCALE: N.T.S.



SILT FENCE
SCALE: N.T.S.



SECTION A - A
SCALE: N.T.S.

FOR INDEX PAGE
SEE DWG LD-9554

METRIC
WHOLE NUMBERS INDICATE MILLIMETRES
DECIMALIZED NUMBERS INDICATE METRES

LOCATION APPROVED UNDERGROUND STRUCTURES	
SUPV. U/G STRUCTURES COMMITTEE	DATE
NOTE: LOCATION OF UNDERGROUND STRUCTURES AS SHOWN ARE BASED ON THE BEST INFORMATION AVAILABLE BUT NO GUARANTEE IS GIVEN THAT ALL EXISTING UTILITIES ARE SHOWN OR THAT THE GIVEN LOCATIONS ARE EXACT. CONFIRMATION OF EXISTENCE AND EXACT LOCATION OF ALL SERVICES MUST BE OBTAINED FROM THE INDIVIDUAL UTILITIES BEFORE PROCEEDING WITH CONSTRUCTION.	

B.M. ELEV.					
0	ISSUED FOR TENDER	2019 11 26	RBO		
NO.	REVISIONS	DATE	BY	DATE	

		DESIGNED BY	NGV	CHECKED BY	RBO
		DRAWN BY	GEL	APPROVED BY	
SCALE:		HORIZONTAL AS NOTED			
		VERTICAL NA			
		RELEASED FOR CONSTRUCTION			
		DATE			

ENGINEERS
GEOSCIENTISTS
MANITOBA
Certificate of Authorization
KGS Group
No. 245

ENGINEER'S SEAL

 CONSULTANT DRAWING NUMBER
LD-9558

THE CITY OF WINNIPEG
 WATER AND WASTE DEPARTMENT
 ENGINEERING DIVISION
 HAMILTON AVENUE BRDGE OUTFALLS
 RENEWAL AND REHABILITATION
MISCELLANEOUS DETAILS

SHEET 6 OF 6
 CITY DRAWING NUMBER
LD-9558